

TONONE

technical specifications

BOLT10 DESK

Design by Anton de Groof, 2025

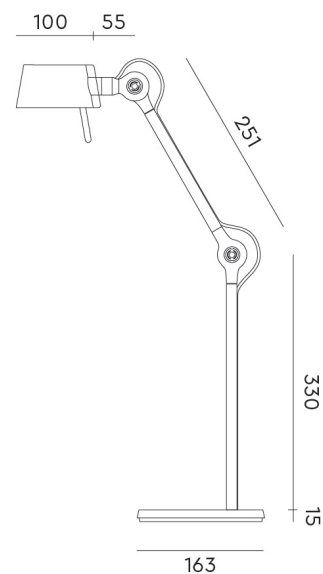


Bolt10 combines light and design in a sleek, modern form. With integrated LED lighting, this lamp provides bright, energy-efficient illumination. The adjustable shade offers maximum flexibility, allowing you to direct the light exactly where you need it. The iconic brass wingnut lets you easily adjust the lamp to the perfect position. Bolt10 is dimmable, so you can adjust the light intensity with a single press. With a color temperature of 2700 Kelvin, the lamp emits warm white light that transitions from bright and functional to softly dimmed, perfect for any occasion. Bolt10 is available in three versions: floor lamp, desk lamp and wall lamp. Made from powder-coated steel and aluminum with an extra matte finish, it offers a sleek and refined design.

Type	Desk lamp
Environment	Indoor
Material	Steel & aluminum
Cable length	1500 mm
Weight	1,8 kg
Voltage	220-240 V
Watt	4 Watt
IP	20
Lightsource	Integrated LED source
Lumen	640
Kelvin	2700K
CRI	90
Dimmable	On fixture

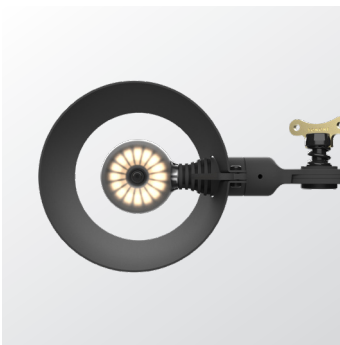
Packaging

Weight	2,2 kg
Length	47 cm
Width	18 cm
Height	15 cm






TONONE

technical specifications



Article number

	shadow black	7000
	misty white	7001
	burgundy red	7002